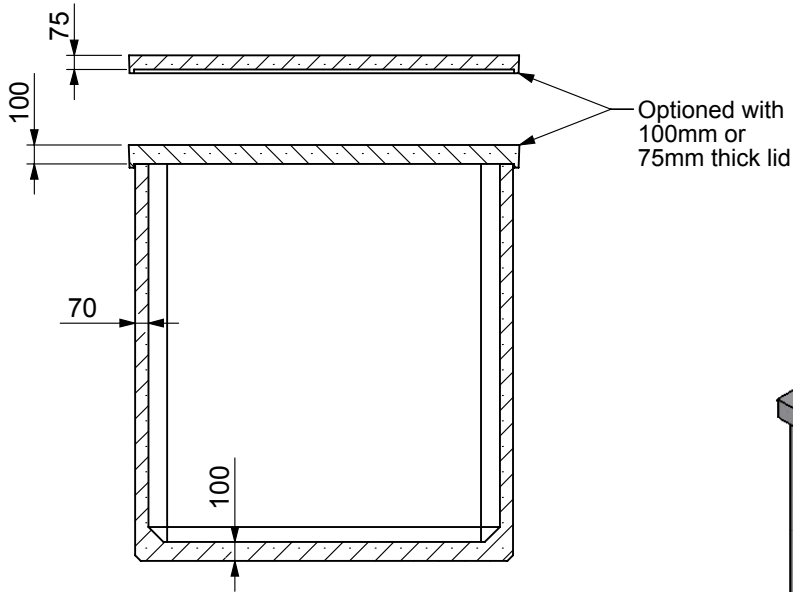
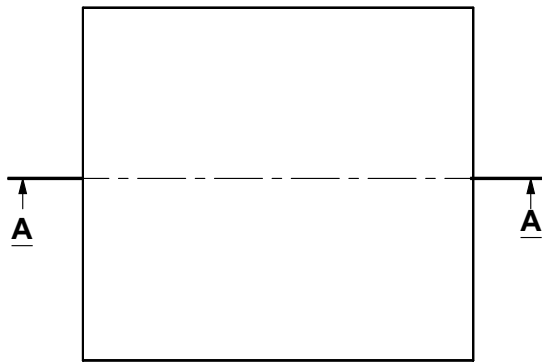
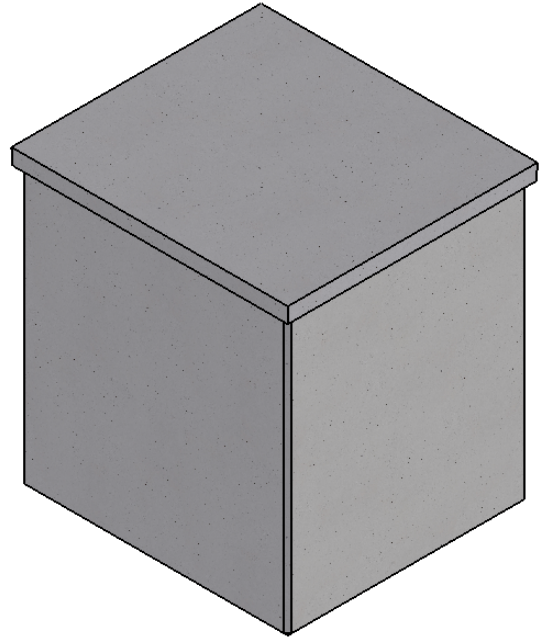


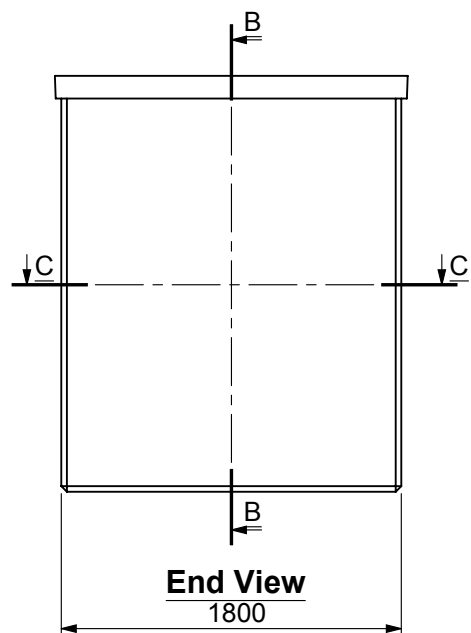
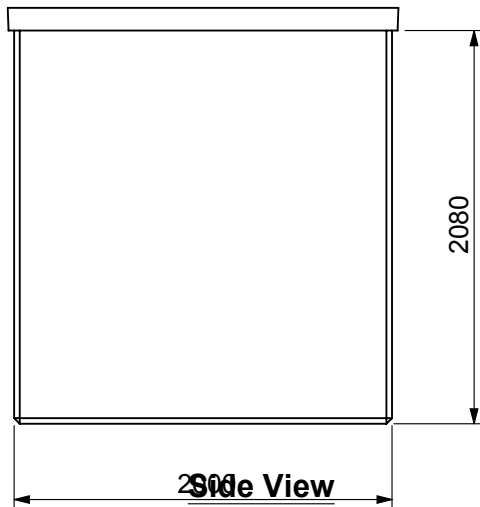
This drawing and all the information hereon is the property of Owner stated .  
It must not be copied, made public or used directly or indirectly, including manufacture of the product shown herein, without written approval.  
This drawing is loaned subject to these conditions and subject to return on demand.



**SECTION A-A**



**Top View**



				Part of	000000	<b>Assembly Name</b>	
				Part of	000000	<b>Sub Assembly Name</b>	
<b>A</b>	06/10/11	Released for Approval	ANV	Part No.	111006-1	<b>Tank, Water, 2000Lx1800Wx2200H - 6700litre</b>	
ISSUE	Date	Issue Description	By	Description:	<b>Product Size Details</b>		
PDF	A4 Drawing	<b>DO NOT SCALE FROM DRAWING. DIMENSIONS IN MILLIMETERS UNLESS OTHERWISE SPECIFIED</b>		Scale:	<b>1:40</b>	Drawing No: <b>111006-1 A</b>	
DXF	Third Angle						
Reg	Projection						

NO DECIMAL PLACES ±0.5mm  
ONE DECIMAL PLACE ±0.25mm  
TWO DECIMAL PLACES ±0.05mm  
ANGLES (DEGREES) ±0.5°