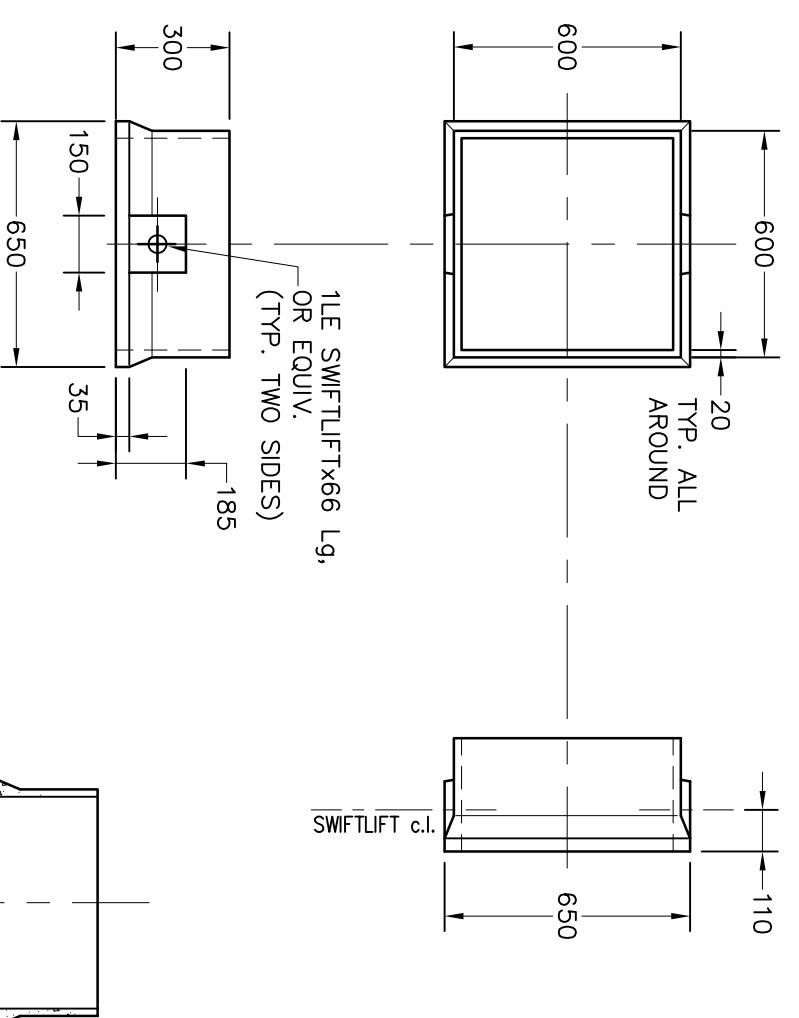


### HEAVY DUTY RISER

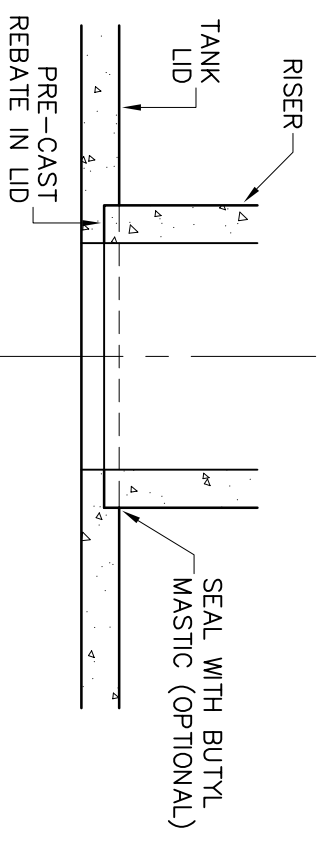
CONCRETE MASS = 200 kg.



### LIGHT DUTY RISER

CONCRETE TO CONTAIN 300g. OF FORTA-FERRO POLYPROPYLENE FIBRES

CONCRETE MASS = 45 kg.



### TYPICAL INSTALLATION DETAILS

#### STRUCTURAL SPECIFICATIONS

- 1.) All materials & workmanship are to be in accordance with AS 3600 (latest issue), 'Concrete structures'.
- 2.) Concrete shall comply with AS 1379. It shall have a characteristic strength of 50 MPa, a slump of 230 mm, and shall contain 7-10 mm aggregate. The water/cement ratio shall be 0.30-0.40.
- 3.) Concrete shall be properly compacted by mechanical vibration.

Issue	description	date	VERSATILE DRAWING No.	checked
			VT-08	

## Tank Riser

VERSATILE TANKS		RPEES ref. no.	10010-08
		drawn	
Tank Riser		RPEES	
		date	16-06-11

## RPE Engineering Services

Ph. (02) 6559 3400 Fax (02) 6559 3411

The Design shown on this drawing is the property of VERSATILE TANKS and/or its Associates. The drawing is the joint property of RPE ENGINEERING SERVICES and VERSATILE TANKS. It must be returned on demand. It must not be copied, or communicated to any third party, without the express written permission of RPE Engineering Services or Versatile Tanks.